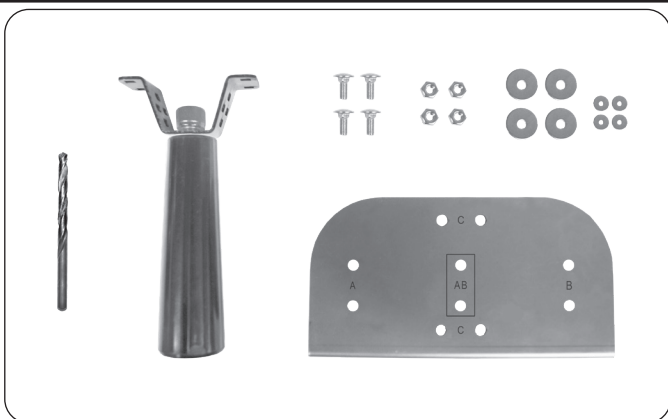


FIRE MAGIC / AOG

Oven Hood Side Handle Kit

Model # 3600-51
(2021 models to current)

INSTALLER: Leave these instructions with consumer.
CONSUMER: Retain for future reference.



IMPORTANT: READ THESE INSTRUCTIONS CAREFULLY BEFORE STARTING INSTALLATION OR USE.

This Oven Hood Side Handle Kit is an add-on to the compatible grill models listed below:

Grill Series	Model
Diamond Series	E660, E790, E1060
Aurora Series	A430, A530, A540, A660, A790
Choice Series	C430, C540, C650, CM430*, CM540*, CM650*, CMA430, CMA540, CMA650
Electric Series	EL500†
AOG "L" Series	24, 30, 36
AOG "T" Series	24, 30, 36

* See Important information below.

† Only compatible with electric grills equipped with knockouts inside the hood.

Table 1 - Compatibility chart

Important: Not all Choice grills are equipped with an oven hood spring and will require the oven hood to **FIRST** be upgraded with a spring kit (#23729-72) in order to use this side handle kit. The spring kit must **FIRST** be installed before installing this side handle kit. Follow the instructions included with the spring kit for installation.

The oven hood side handle kit may be installed on the left or right side of the grill oven hood. Left installation shown here.

1. Be sure the unit is completely cool, the control knobs are turned to the OFF position, the gas supply is shut off, the light switch is off (if equipped), and the power supply is disconnected (if applicable).

Note: For electric grills, inspect the inside wall of the oven hood for existing knockouts. Remove the knockouts with caution before proceeding with installation.

2. Reference the drilling template diagram in Fig. 1-1 to help identify the necessary holes to be drilled for your specific unit.
3. Open oven hood and place the stainless steel drilling template onto the oven hood as shown in Fig. 1-2. Ensure the template is fully pressed against the hood side bottom flange and against the top corner of hood.

Important: If the oven hood protective plastic has been removed, use masking tape (or similar) under the drilling template to prevent scratching the stainless steel surface.

Note: Wearing protective gear when drilling is recommended.

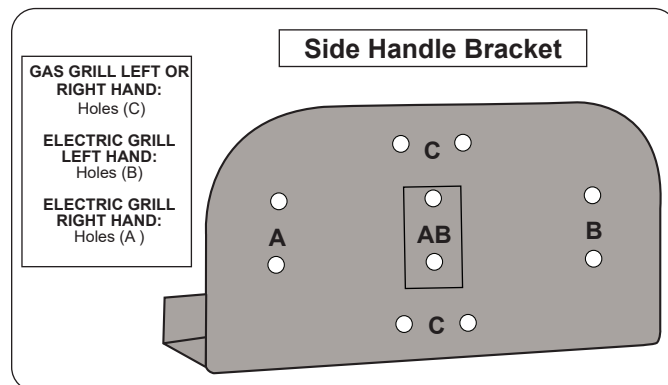


Fig. 1-1. Identify Drill Holes

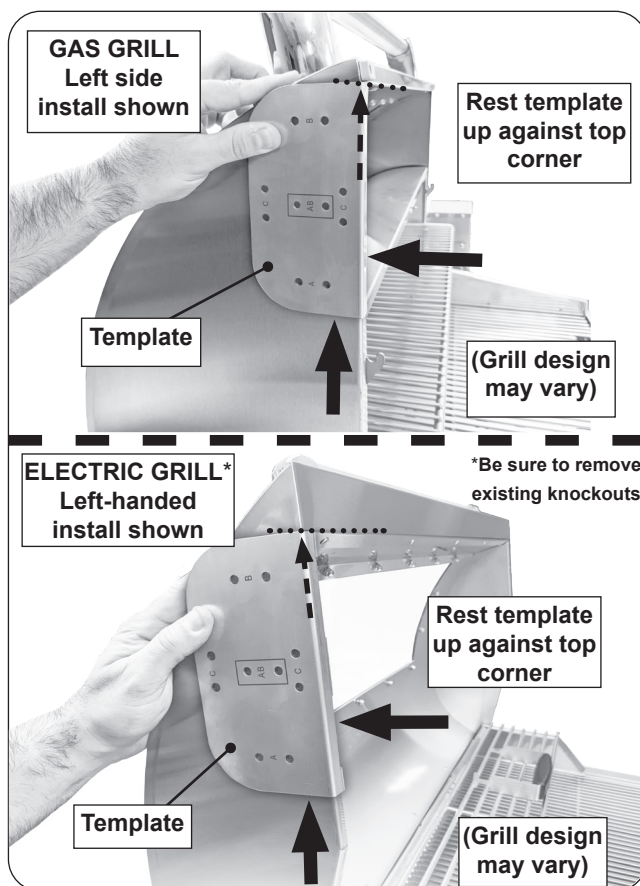


Fig. 1-2. Place drilling template (on hood)

Note: Optional - Use a grip/clamp to hold the template in place to assist while drilling.

4. Using the provided drill bit, drill the four (4) holes through the oven hood side wall as needed for your unit. Reference the bullets below and Fig. 2-1.

- Gas Grills (Right-hand or Left-hand): **Holes C**
- Electric Grills (Left-hand): **Holes B**
- Electric Grills (Right-hand): **Holes A**

Important: When drilling, use a steady speed to refrain from wearing out the drill bit provided.

5. After all holes are drilled, debur the edges of the holes to allow washers to sit flat against oven hood.

6. Align the bracket to the holes on the oven hood and fasten the handle kit using the supplied screws, washers, and nuts (see Fig. 2-2).

Important: Examine nuts provided and notice the indentions on the nut. When securing the handle, ensure to face those indentions outwards from the bolt to tighten and keep from getting stuck. See Fig. 2-2.

Note: Use the larger washers for gas grills and the small washers for electric grills. Take caution to prevent dropping of washers and nuts when installing.

Important: If the oven hood on your Choice grill is not equipped with a spring kit, it **MUST** be upgraded with an Oven Hood Spring Kit (#23729-71) **BEFORE THE OVEN HOOD SIDE HANDLE KIT CAN BE INSTALLED.** Determine if your hood is equipped with a spring kit by inspecting the left hinge of your hood for a spring. Contact your local dealer for ordering information.

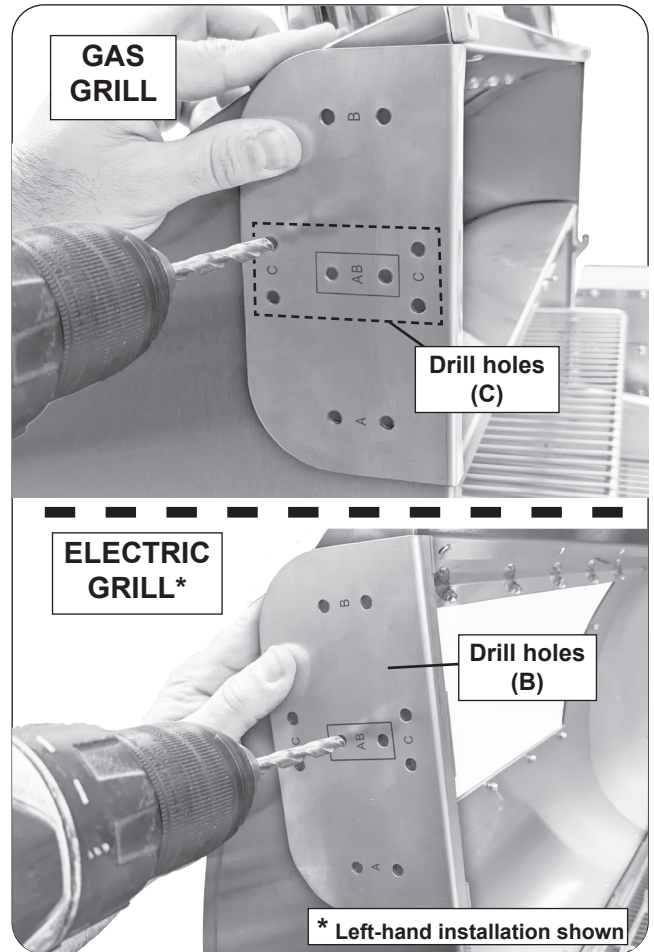


Fig. 2-1 Drill holes (on hood)

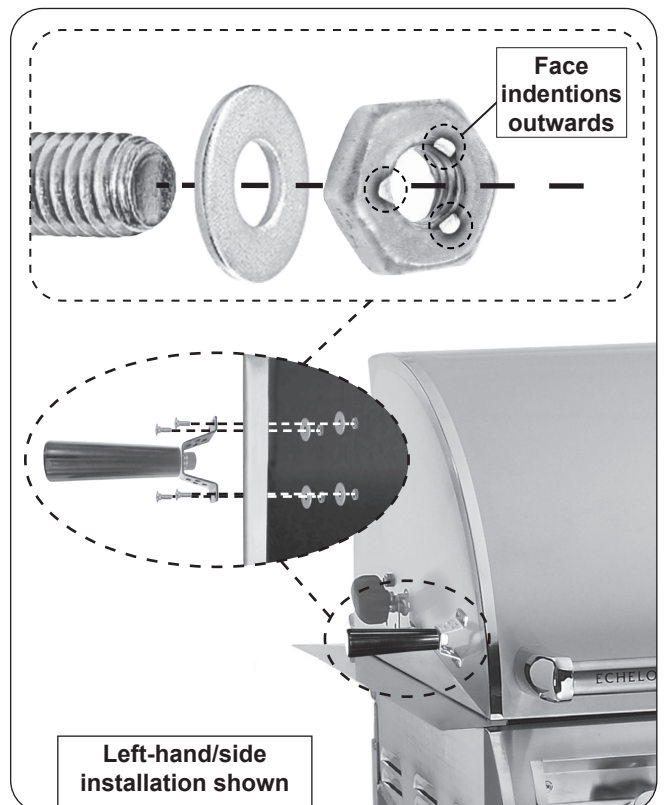


Fig. 2-2 Install bracket to hood (on gas or electric grill)